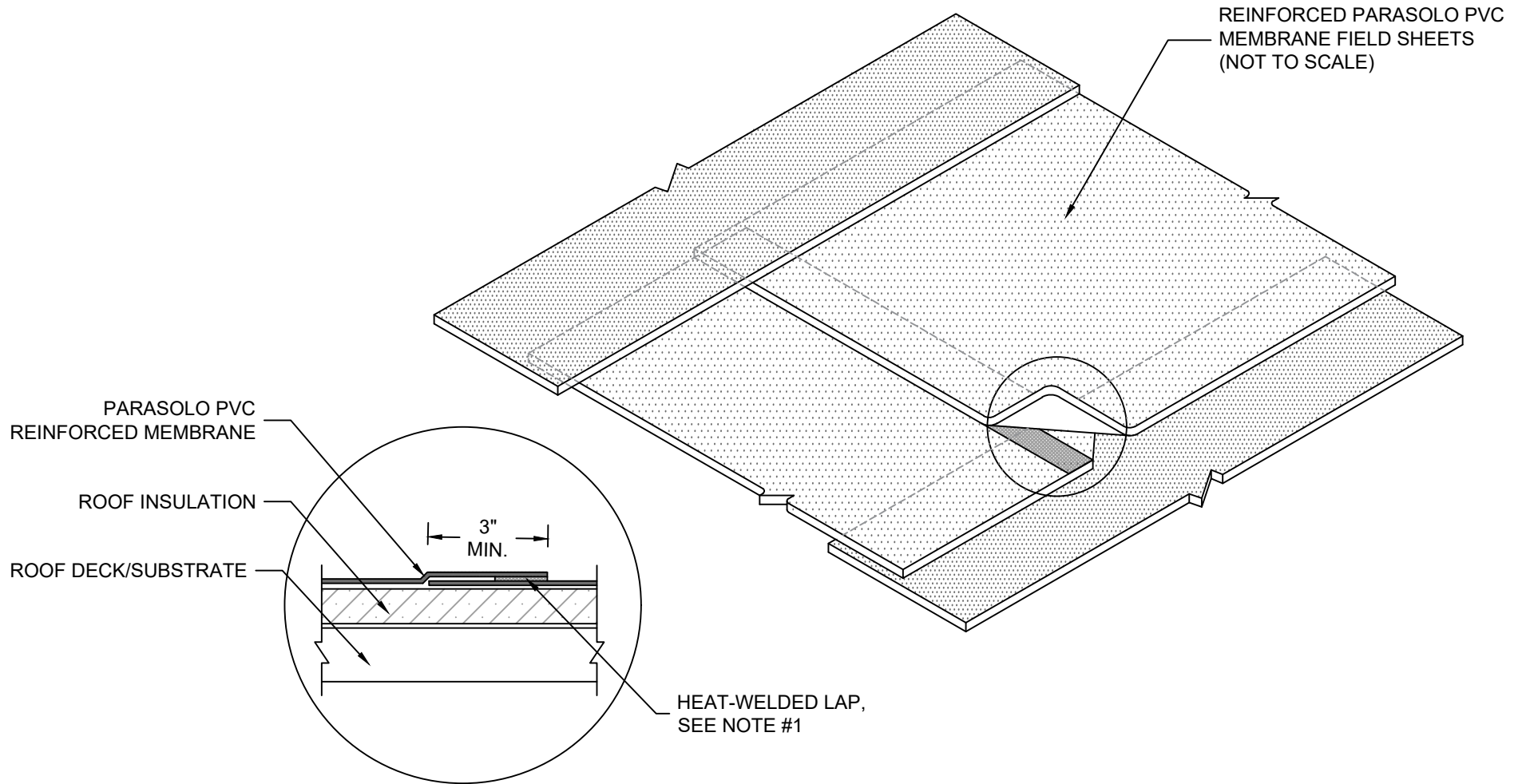


END LAP DETAIL

PARASOLO PVC ROOF MEMBRANE - RIGID INSULATION (ALL SYSTEM)



NOTES:

1. FOR HEAT-WELDING LAPS USE 1.5" MIN. WELD WITH AUTOMATIC MACHINE WELDER AND 2" MIN. WELD WITH HAND WELDER.
2. PARASOLO T-JOINT PATCH REQUIRED FOR 80 MIL PARASOLO MEMBRANE.

N.T.S