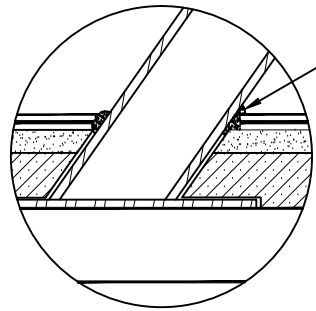
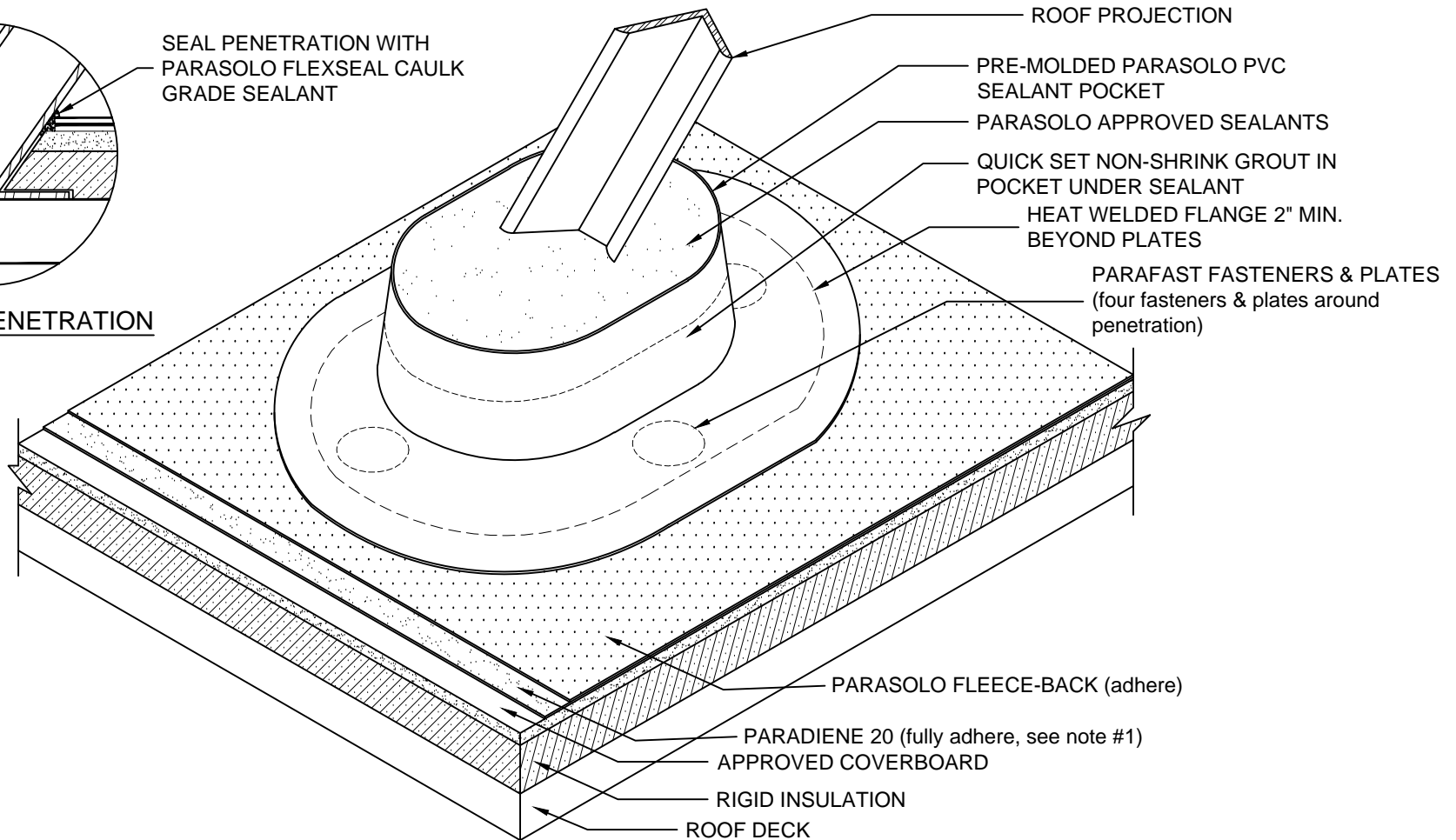


# POURABLE SEALANT POCKET PARASOLO HYBRID SYSTEM - RIGID INSULATION



SEAL PENETRATION WITH  
PARASOLO FLEXSEAL CAULK  
GRADE SEALANT

SECTION @ PENETRATION



**NOTES:**

1. PARADIENE 20 SHOULD BE SEALED USING PARASOLO FLEXSEAL SEALANT FOR EXPOSED PARADIENE IN PHASE CONSTRUCTION INSTALLATIONS.
2. ALLOW 2 INCHES OF CLEARANCE AROUND THE PROJECTION. IF MULTIPLE PROJECTIONS, ALLOW 1 INCH BETWEEN PROJECTION & POCKET.
3. THE EXISTING PROJECTION MUST BE CLEAN OF ALL DEBRIS BEFORE INSTALLATION.
4. IF SEALANT POCKET MUST BE CUT, STRIP IN CUT WITH AN UNREINFORCED PARASOLO PVC STRIP 4 INCHES MIN. WIDE AND EXTEND ONTO THE FIELD MEMBRANE A MINIMUM OF 2 INCHES.
5. THE CARPENTRY AND METAL WORK SHOWN DEPICT SHOP FABRICATION AND JOB-SITE ASSEMBLY. THESE COMPONENTS SHOULD BE DESIGNED/FABRICATED/INSTALLED ACCORDING TO GENERALLY ACCEPTED INDUSTRY PRACTICES, STANDARDS, AND APPROVALS.
6. IF PLATES AND FASTENERS ENCROACH INTO THE SEAM AREA OF THE POCKET, THEN A TARGET MUST BE ADDED FIRST TO COVER THE FASTENERS.
7. REQUIREMENTS AND RECOMMENDATIONS DETAILED IN CURRENT SIPLAST SPECIFICATIONS SHALL APPLY IN ADDITION TO THE ABOVE DRAWING.

CAUTION: SIPLAST RECOMMENDS THAT ALL PRACTICES PERTAINING TO NRCA CERTA GUIDELINES BE FOLLOWED WHEN TORCHING METHODS ARE EMPLOYED. THIS INCLUDES PERFORMING A FIRE WATCH FOLLOWING ANY TORCH APPLICATIONS. ALWAYS HAVE APPROVED FIRE-EXTINGUISHING EQUIPMENT NEARBY.

N.T.S