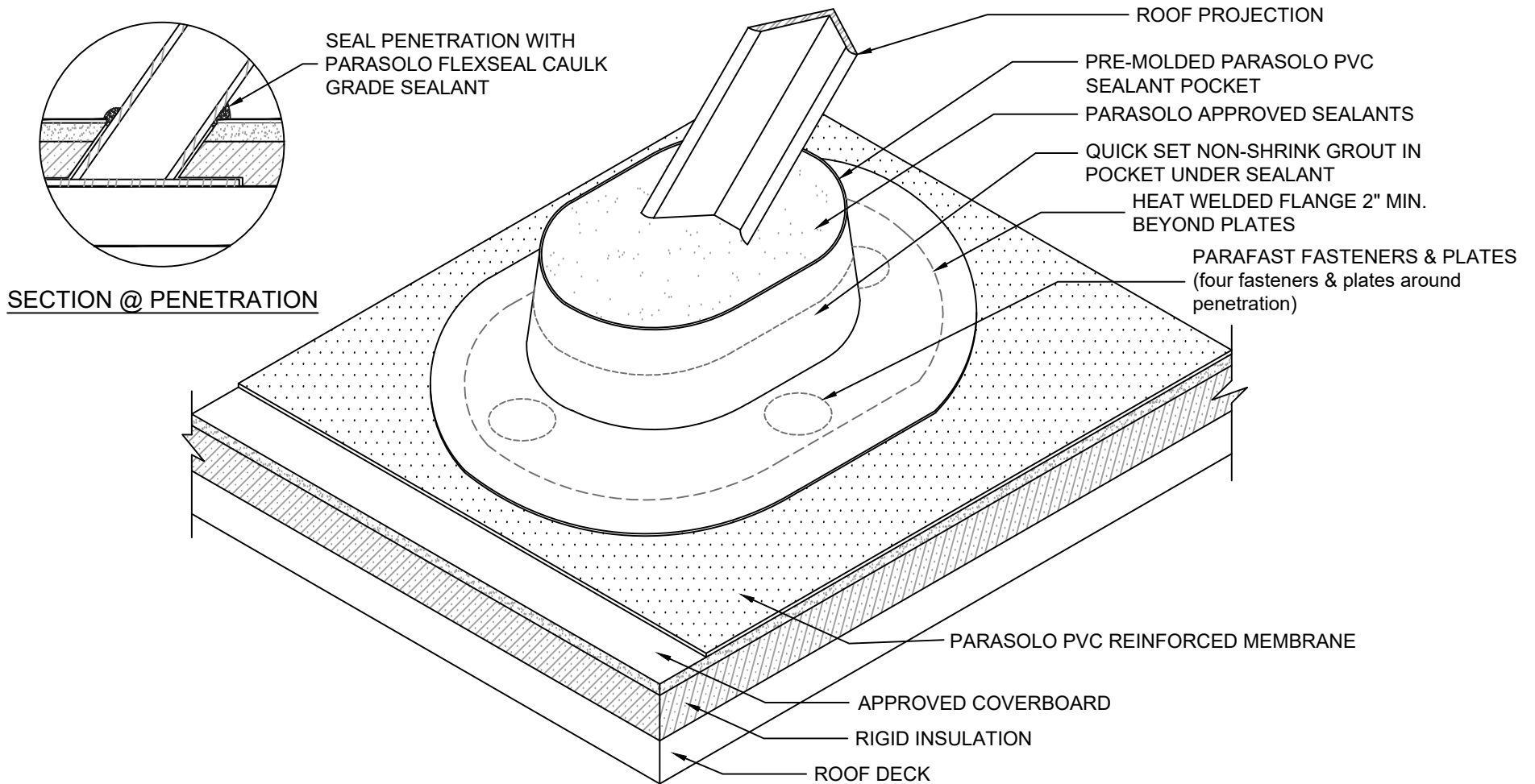


POURABLE SEALANT POCKET PARASOLO PVC ROOF MEMBRANE - RIGID INSULATION (ALL SYSTEMS)



NOTES:

1. ALLOW 2 INCHES OF CLEARANCE AROUND THE PROJECTION. IF MULTIPLE PROJECTIONS, ALLOW 1 INCH BETWEEN PROJECTION & POCKET.
2. THE EXISTING PROJECTION MUST BE CLEAN OF ALL DEBRIS BEFORE INSTALLATION.
3. IF SEALANT POCKET MUST BE CUT, STRIP IN CUT WITH AN UNREINFORCED PARASOLO PVC STRIP 4 INCHES MIN. WIDE AND EXTEND ONTO THE FIELD MEMBRANE A MINIMUM OF 2 INCHES.
4. THE CARPENTRY AND METAL WORK SHOWN DEPICT SHOP FABRICATION AND JOB-SITE ASSEMBLY. THESE COMPONENTS SHOULD BE DESIGNED/FABRICATED/INSTALLED ACCORDING TO GENERALLY ACCEPTED INDUSTRY PRACTICES, STANDARDS, AND APPROVALS.
5. IF PLATES AND FASTENERS ENCR OACH INTO THE SEAM AREA OF THE POCKET, THEN A TARGET MUST BE ADDED FIRST TO COVER THE FASTENERS.
6. REQUIREMENTS AND RECOMMENDATIONS DETAILED IN CURRENT SIPLAST SPECIFICATIONS SHALL APPLY IN ADDITION TO THE ABOVE DRAWING.

N.T.S