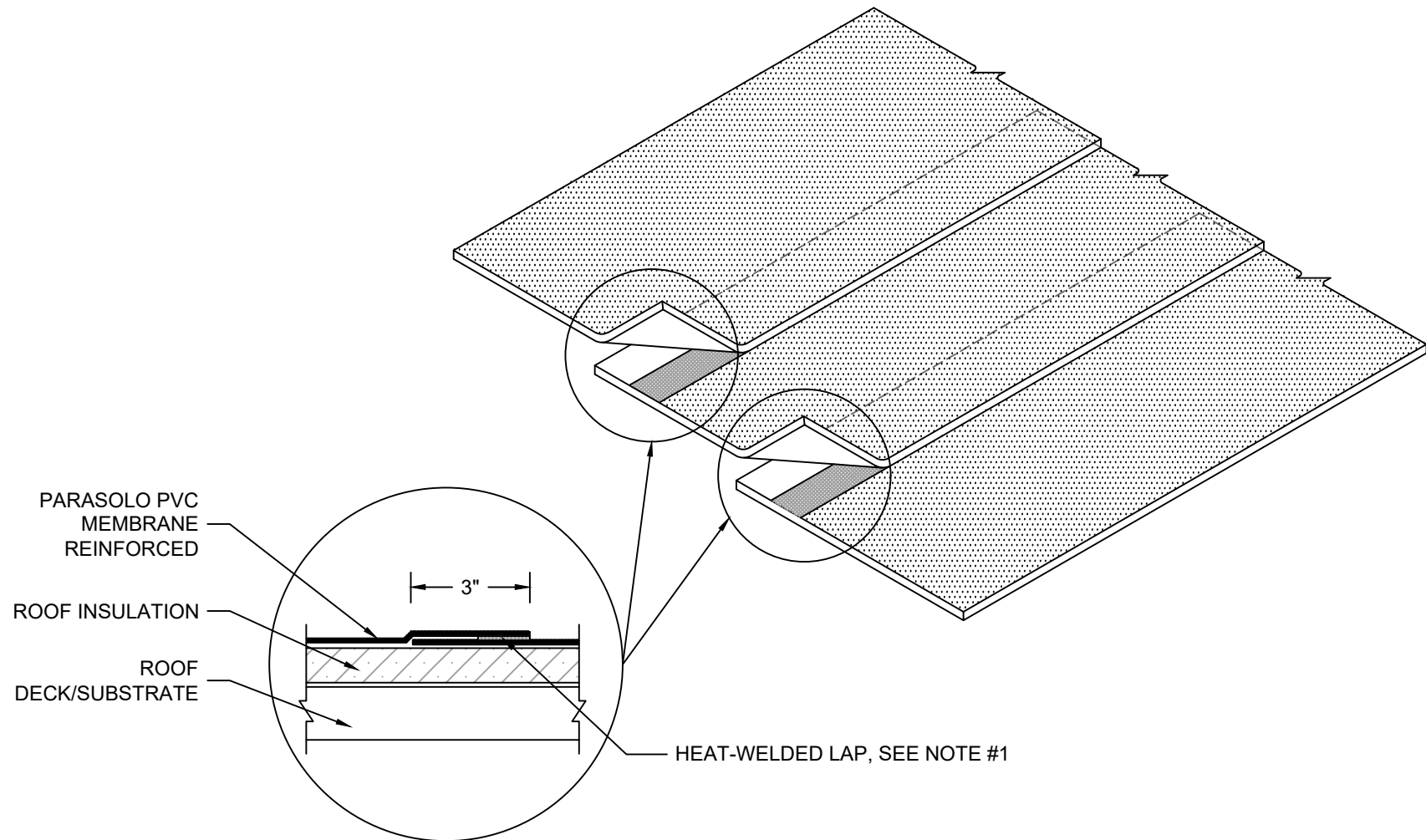


SIDE LAP DETAIL - FULLY ADHERED SYSTEM

PARASOLO PVC ROOF MEMBRANE - RIGID INSULATION (FULLY ADHERED SYSTEM)



NOTES:

1. FOR HEAT-WELDING LAPS USE 1.5" MIN. WELD WITH AUTOMATIC MACHINE WELDER AND 2" MIN. WELD WITH HAND WELDER.

N.T.S