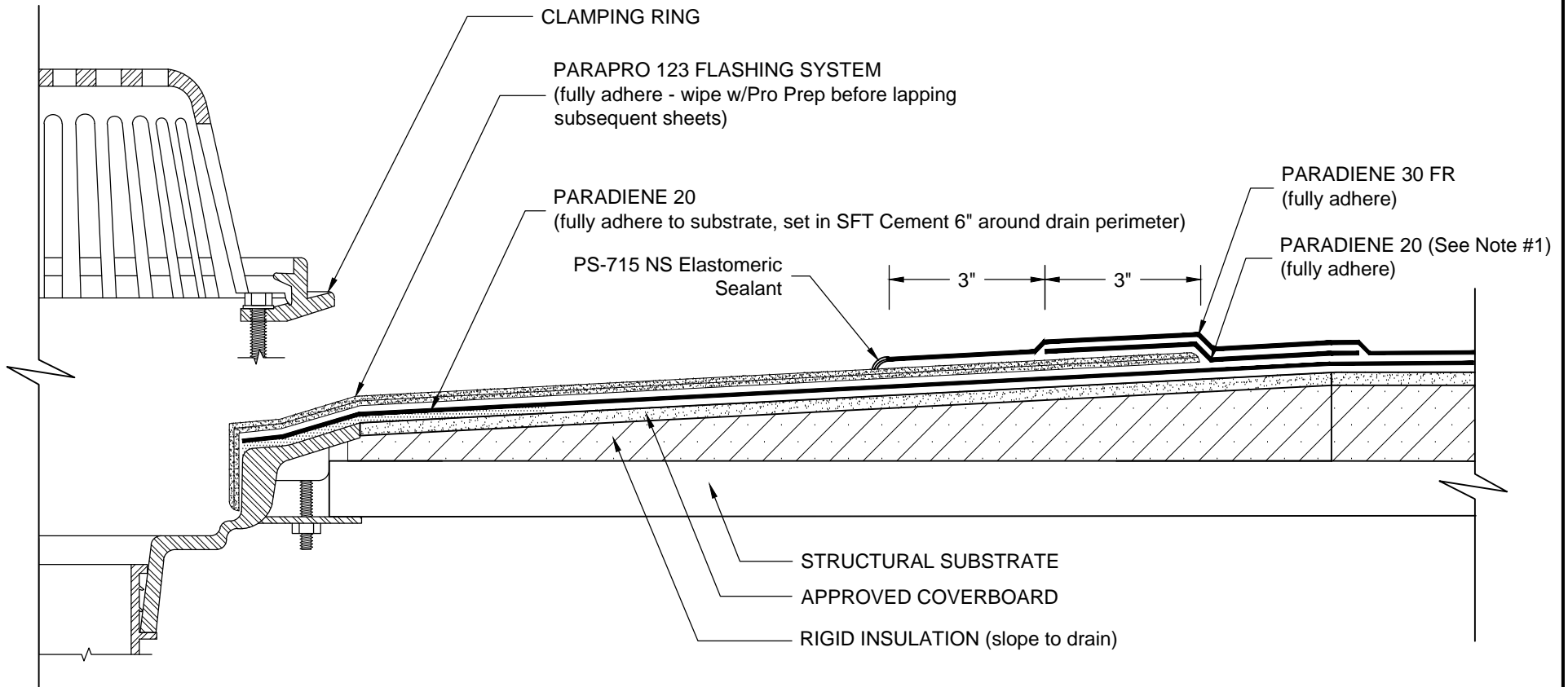


SUMPED ROOF DRAIN WITH PARAPRO FLASHING

PARADIENE 20/30 FR - RIGID INSULATION



NOTES:

1. PARADIENE 20 STRIPPING PLY IN THE ABOVE CONFIGURATION IS OPTIONAL WHEN THE UNDERLYING PARADIENE 20 BASE PLY IS SELF-ADHESIVE, TORCH APPLIED OR APPLIED IN HOT ASPHALT.
2. CLEAN/WIPE THE SURFACE OF THE CURED PARAPRO 123 FLASHING WITH PRO PREP AND ALLOW TO DRY PRIOR TO LAPPING SUBSEQUENT SHEETS.
3. ROOF DRAIN COMPONENTS AND INSTALLATION SPECIFICATIONS ARE SUPPLIED BY THE DRAIN MANUFACTURER.
4. REQUIREMENTS AND RECOMMENDATIONS DETAILED IN CURRENT SIPLAST SPECIFICATIONS SHALL APPLY IN ADDITION TO THE ABOVE DRAWING.

CAUTION: SIPLAST RECOMMENDS THAT ALL PRACTICES PERTAINING TO NRCA CERTA GUIDELINES BE FOLLOWED WHEN TORCHING METHODS ARE EMPLOYED. THIS INCLUDES PERFORMING A FIRE WATCH FOLLOWING ANY TORCH APPLICATIONS. ALWAYS HAVE APPROVED FIRE-EXTINGUISHING EQUIPMENT NEARBY.

N.T.S