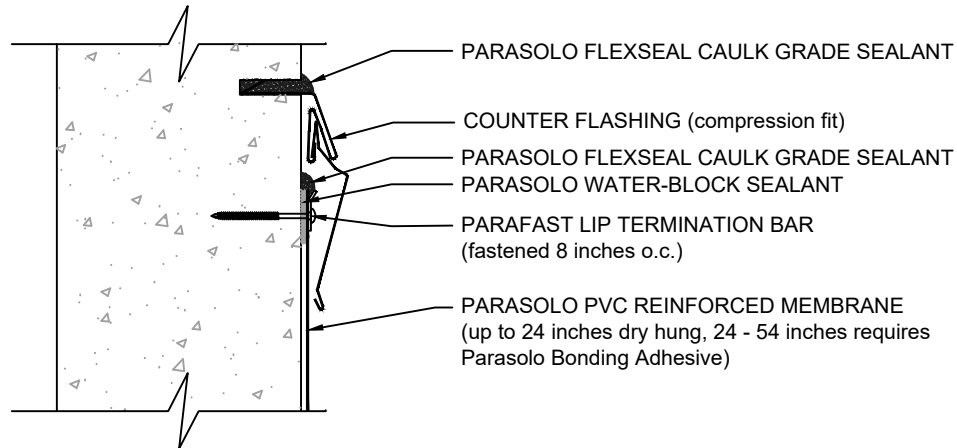
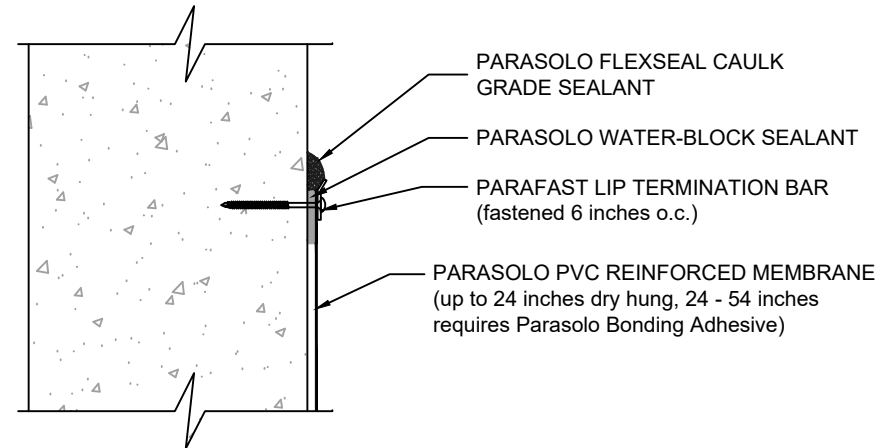


# TERMINATION DETAILS 1-4

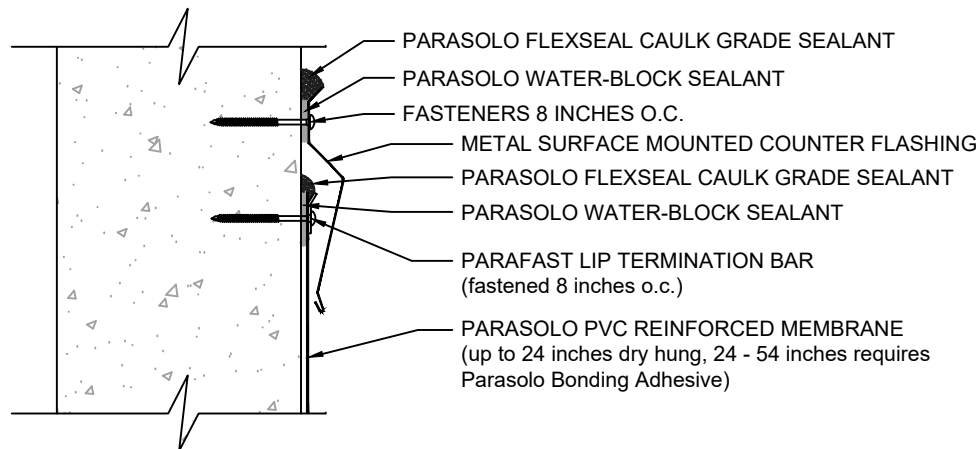
## PARASOLO PVC ROOF MEMBRANE - RIGID INSULATION (ALL SYSTEMS)



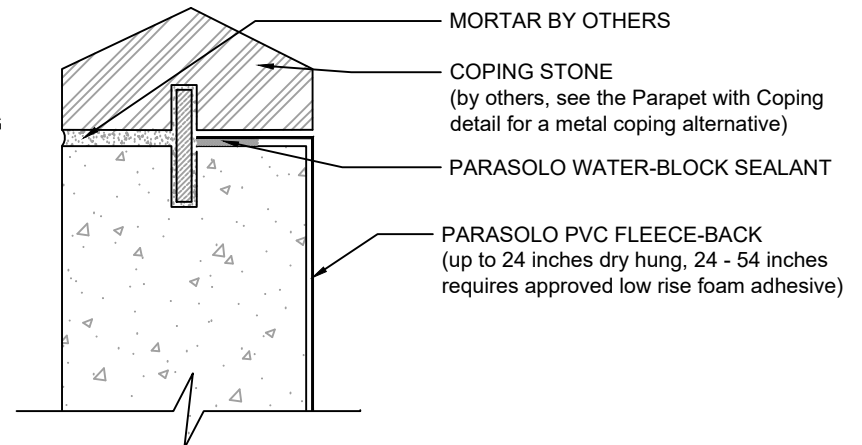
1. REGLET COUNTER FLASHING TERMINATION



3. MECHANICAL TERMINATION



2. SURFACE MOUNTED COUNTER FLASHING TERMINATION



4. COPING STONE TERMINATION

NOTES:

1. THE METAL WORK SHOWN DEPICTS SHOP FABRICATION AND JOB-SITE ASSEMBLY. THESE COMPONENTS SHOULD BE DESIGNED/FABRICATED/INSTALLED ACCORDING TO GENERALLY ACCEPTED INDUSTRY PRACTICES, STANDARDS, AND APPROVALS.
2. DISSIMILAR METAL TYPES SUBJECT TO ELECTROLYTIC REACTION SHOULD BE PHYSICALLY SEPARATED.
3. REQUIREMENTS AND RECOMMENDATIONS DETAILED IN CURRENT SIPLAST SPECIFICATIONS SHALL APPLY IN ADDITION TO THE ABOVE DRAWING.

N.T.S