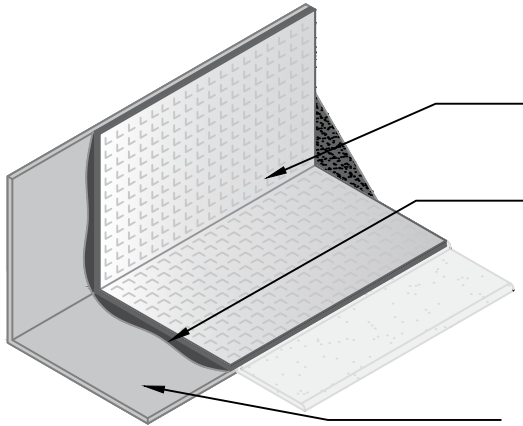


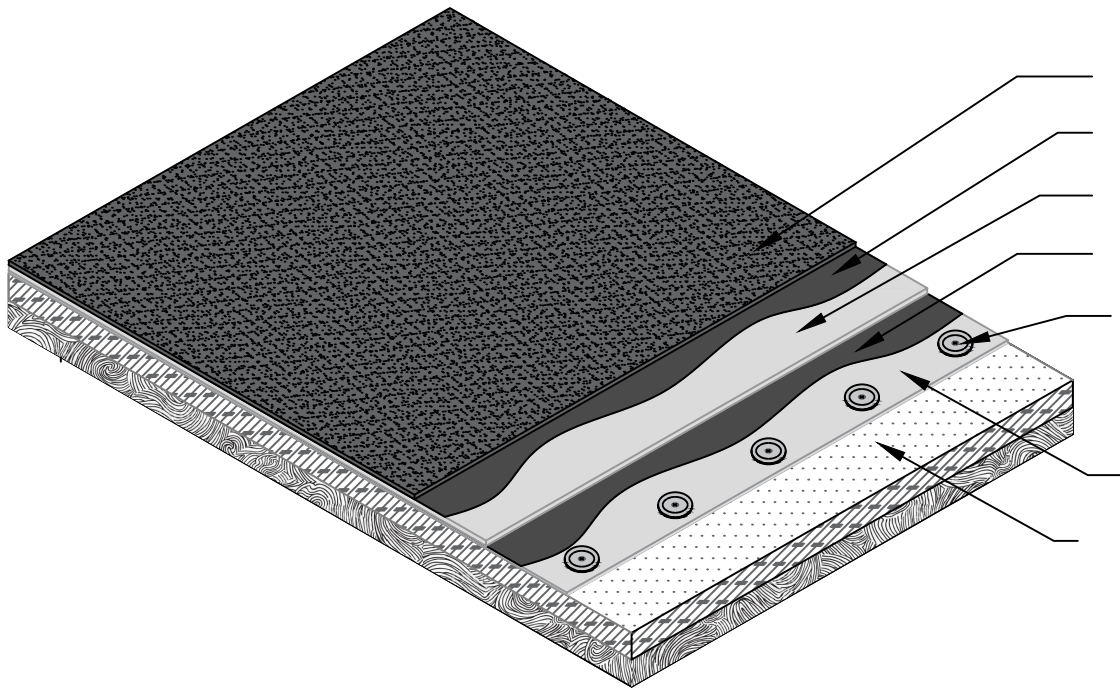
PROJECT:

CLICK ON THE LINKS BELOW FOR MORE INFORMATION

- [SPECIFICATION](#)
- [DETAILS](#)
- [PRODUCT DATA SHEETS](#)



FLASHING ASSEMBLY



ROOF ASSEMBLY

1. SIPLAST STANDARD SPECIFICATIONS AND REQUIREMENTS SHALL APPLY IN ADDITION TO THIS DRAWING.
2. SIPLAST RECOMMENDS THAT ALL PRACTICES PERTAINING TO INDUSTRY STANDARD TORCH SAFETY REQUIREMENTS AND GUIDELINES BE FOLLOWED. THIS INCLUDES PERFORMING A FIRE WATCH FOLLOWING ANY TORCH APPLICATIONS. ALWAYS HAVE APPROVED FIRE EXTINGUISHING EQUIPMENT NEARBY WHEN USING A TORCH.

USE ADOBE READER TO TURN OFF/ON LAYERS THAT DO NOT APPLY

Scale: NTS

PARADIENE 20/30 - NON-INSULATED NAILABLE SUBSTRATE

Rev: 02/07/2023

14911 Quorum Drive, Suite 600 - Dallas, Texas - 75254 (800) 922-8800



www.siplast.com